

1

SPECTRA B300LDA

L.E.D. Array Beacon
 16 x High powered L.E.D's
 9 Selectable user modes
 IP Rating: IP65
 Temp: -25°C to +50°C
 Unit weight: 285g
 CE

Order code Voltage
 B300LDA050B/x 10-50V DC
 250mA @ 24 V DC
 B300LDA230B/x 90-230V AC
 50mA @ 230V AC 90mA @ 115V AC

Mountings
 B300RAB001 Right angle bracket
 B300TMA001 Tube mounting assembly

Dimensions : Ø100 x 150mm
 1.5mm² terminals
 Cable entry: 1 x 5-7mm push through
 grommet
 1 x M20 cable entry (IP65)

x = Lens colour
 R = Red A = Amber
 B = Blue G = Green
 Y = Yellow

Tel : +44 (0)20 8743 8880 Fax : +44 (0)20 8740 4200
 email : sales@e2s.com web : www.e2s.com



2

ATTENTION: Installation must be carried out by an electrician in compliance with the latest codes and regulations.

ATTENTION: Disconnect from power source before installation or service to prevent electric shock.

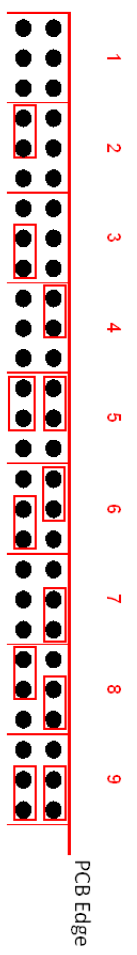
ATTENTION: Lens on unit will be hot allow to cool prior to removal.

3

B300LDA

Stage 1 [AC & DC units] Stage2 [DC unit only]

1 All L.E.D's on	Alternate Side Flash 2Hz
2 Rotating: Slow 1	Alternate Side Flash 2Hz
3 Single Strike Flash 2Hz	Rotating: Fast 2
4 Rotating: Fast 1	Single Strike Flash 2Hz
5 Rotating: Slow 2	Double Strike Flash 1Hz
6 Double Strike Flash 2Hz	Rotating: Fast 2
7 Rotating: Fast 2	Double Strike Flash 2Hz
8 Double Strike Flash 1Hz	Alternate Side Flash 2Hz
9 Alternate Side Flash 2Hz	Rotating: Fast 2

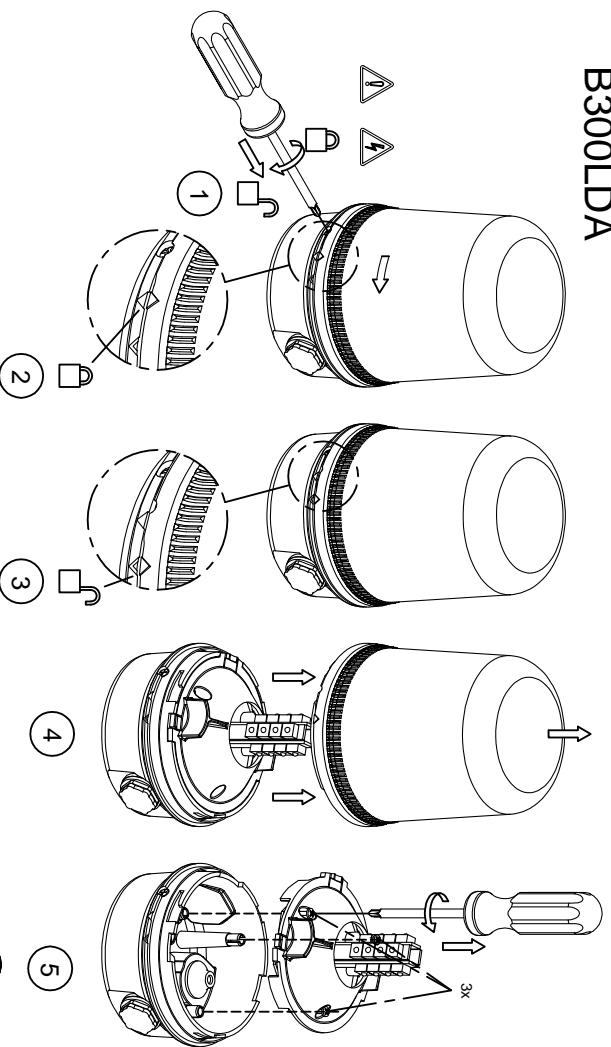


PCB Edge



A SPECIIRA

B300LDA



Tel : +44 (0)20 8743 8880 Fax : +44 (0)20 8740 4200
 Mail : sales@e2s.com Web : www.e2s.com



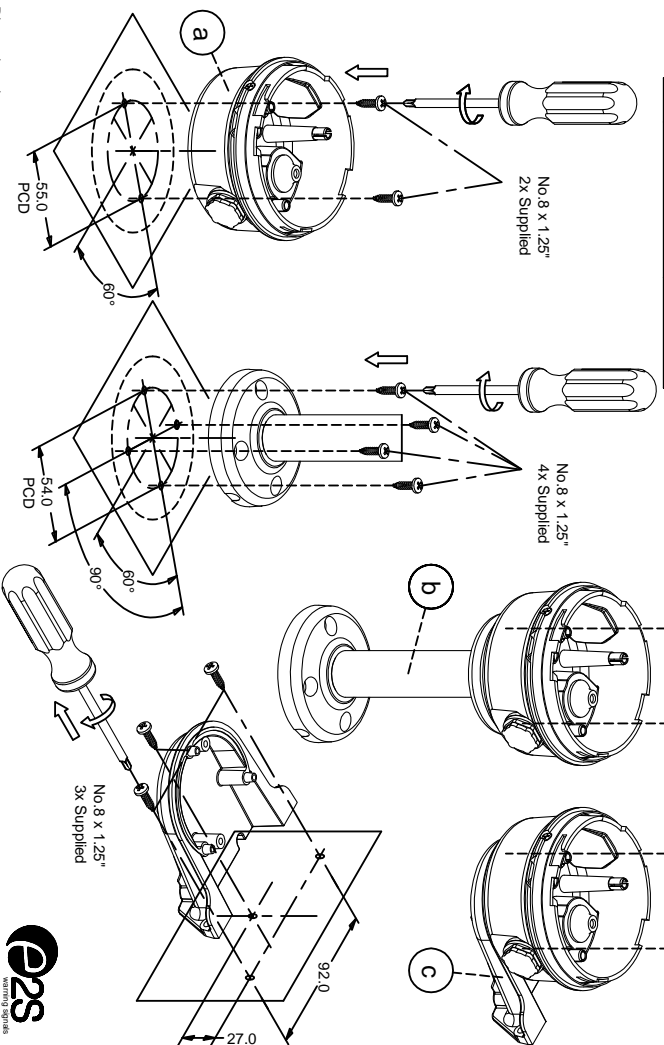
MOUNTING OPTIONS	
a	STANDARD BASE
b	POLE MOUNT
c	90° BRACKET

No.8 x 0.5" Zx Supplied with item b

No.8 x 0.5" Zx Supplied with item c

No.8 x 1.25" Zx Supplied

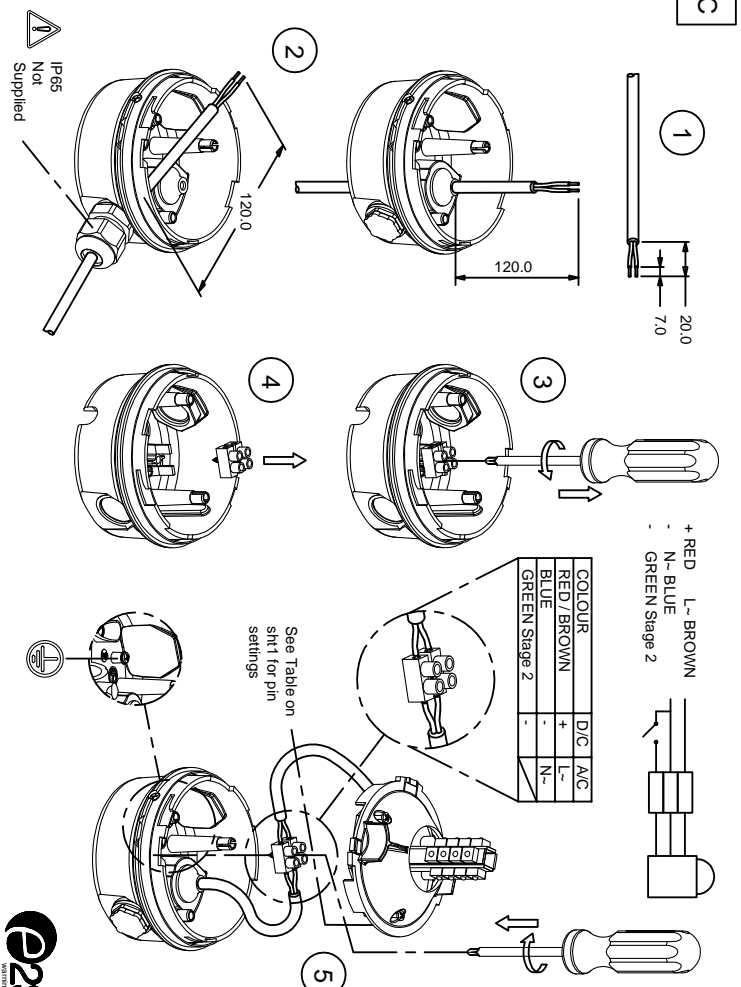
No.8 x 1.25" 4x Supplied



Dimensions in mm



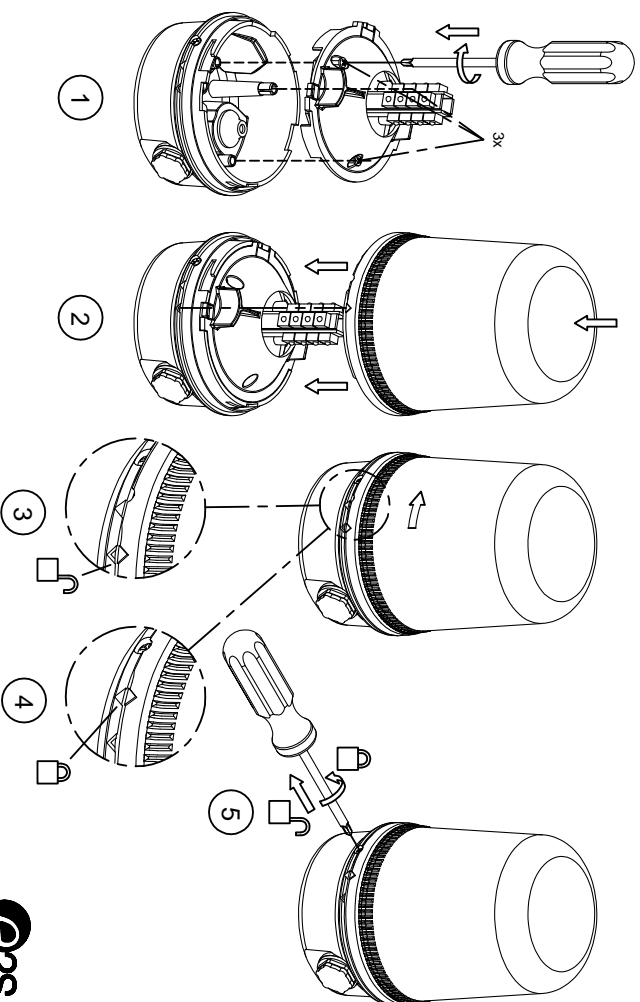
C



+ RED L- BROWN
 - N- BLUE
 GREEN Stage 2



D



01-14-00-001-15-SHTZJSSUE C

