

# INDUSTRIAL SIGNALLING

## Xenon Strobe Beacons



### LP-LT series

- 2W and 5W xenon strobe beacons
- Low and high profile design
- Multi-voltage options
- IP67 (dependent on installation method)



Order Code	Model	Voltage	Current	Flash rate
<b>LP1 xenon strobe beacon 2W (LP4xMV/5 – 5W) low profile</b>				
DLP401002*	LP1XMV/2	10 -100VDC 20 - 72VAC	130-37mA	75 fpm
DLP401005*	LP1XMV/5	10 -100VDC 20 - 72VAC	250-60mA	75 fpm
DLP111002*	LP1X110/2	110VAC (90-125V)	30mA	60 fpm
DLP124002*	LP1X230/2	240VAC (207-253V)	15mA	60 fpm
<b>LT3 xenon strobe beacon 5W high profile</b>				
DLT401005*	LT4XMV/5	10 -100VDC 20 - 72VAC	255-70mA	75 fpm
DLT311005*	LT3X110/5	110VAC (90-125V)	50mA	90 fpm
DLT324005*	LT3X230/5	240VAC (207-264V)	40mA	90 fpm

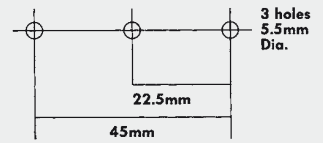
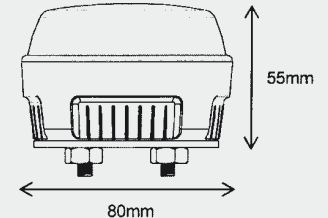
\*Specify colour A = Amber, B = Blue, C = Clear, G = Green, R = Red

Note: mounting bases are required unless mounting on a panel with rear access and max. thicknesses of 8mm.

#### Specifications:

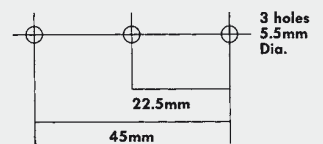
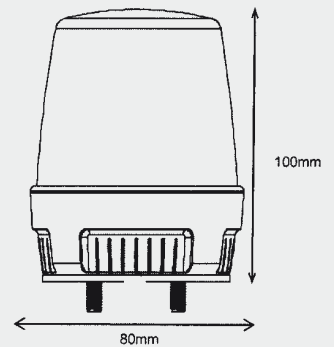
Protection:	IP67 (dependent on installation method)
Duty:	Continuous
Temp rating (°C):	-25 to +50
Cable entry:	M20
Construction:	Polycarbonate base and lens

#### LP series



Drilling for panel mounting  
2 x M5 x 15mm studs

#### LT series



Drilling for panel mounting  
2 x M5 x 15mm studs

### Accessories and Spare Parts

Order Code	Description
DLFX2	FX2 surface mounting base
DLFX40	FX40 wall mounting bracket

#### FX2



#### FX40

