

B450TDB Dual Filament Lamp Traffic Light

The B450 series of traffic light beacons are available in single E27 filament lamp, dual E14 filament lamp or high output L.E.D array versions.

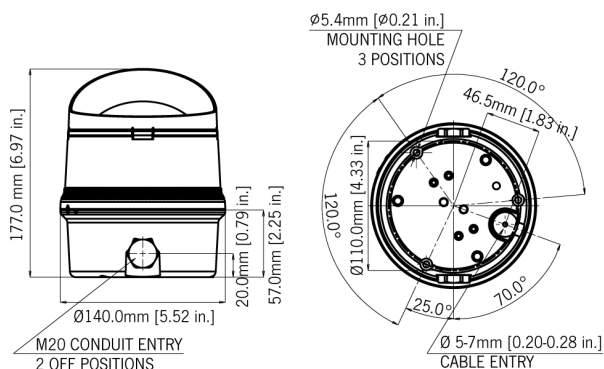
Features

- Bayonet fixing lens.
- Anti-tamper locking screw.
- Stainless steel fixings.Ⓛ

Approvals

- GOST-R certificate: POCC GB.JB05.H00144.





Specification

Light source:	Dual Filament Lamp E14
Light output:	2 x 15W
Function:	Permanent
L.E.D. colours:	Amber, Blue, Clear, Green, Red & Yellow
Effective Intensity cd:	24 cd* (peak/effective intensity)
Lens type:	Prismatic
Mounting:	Surface mount (Wall mount bracket available)
Entries:	1 x 5-7mm push through grommet 2 x M20 cable entry
Dimensions:	Ø140 x 177mm
Ingress protection:	IP65
Housing material:	High impact UL94 V0 (f1) PC
Terminals:	0.5 to 2.5mm ²
Operating temp:	-25 to +50°C [-13° to +122°F]
Storage temp:	-40 to +70°C [-40 to +158°F]
Relative humidity:	90% at 20°C [68°F]
*Candela measurements representative of performance with clear lens at optimum voltage.	

Part Codes

Version:	Part code:
12-250V	B450TDB250B/[x]

[x] = Lens colour:	A: Amber
	B: Blue
	C: Clear
	G: Green
	R: Red
	Y: Yellow

Note: Filament lamps not included. Must be ordered separately

Mounting brackets:

MB-B450T-S	Mounting bracket kit for a single B450 type unit.
MB-B450T-M	Mounting bracket kit for linked multiple B450 type units.

Note: Multiple unit connector is supplied with each product.

Filament lamp part codes:

Version:	Wattage:	Type:	Part code:
12V dc	15W	E14	BB261215E
24V dc	15W	E14	BB263015E
48V dc	15W	E14	BB264815E
115V ac	15W	E14	BB2613015E
230V ac	15W	E14	BB2623515E

Note: Filament lamps to be ordered separately.