

D105-DL105X-DL105H

- Heavy duty marine grade aluminium housing
- Electronic sounder and sounder beacon with choice of xenon or LED
- 32 tones, includes ISO tones to Australian Standards
- Automatic synchronisation on multi-sounder systems**
- Sounder and beacon controlled independently
- Volume control
- Three stage alarm (reverse polarity stage switching on DC units)
- IP66



Order Code	Voltage	Current Sounder	Current Beacon	Weight (kg)
D105 sounder red housing***				
ESSD2010	10-30VDC	25mA @ 24VDC	-	1.6
ESSD2012	24VAC±10%	40mA	-	1.85
ESSD2015	35-60VDC	50mA @ 48VDC	-	1.6
ESSD2020	115VAC ±10%	20mA	-	1.85
ESSD2030	230VAC ± 10%	15mA	-	
DL105X sounder-beacon – with xenon beacon red housing***				
ESSD2105*	10-14VDC	25mA	380mA	2.10
ESSD2110*	20-28VDC	25mA	250mA	
ESSD2112*	24VAC ±10%	40mA	300mA	2.35
ESSD2115*	42-54VDC	50mA	175mA	2.10
ESSD2120*	115VAC ±10%	20mA	70mA	2.35
ESSD2130*	230VAC ± 10%	15mA	35mA	
DL105H sounder-beacon – with LED beacon red housing***				
ESSD2210*	10-30VDC	25mA @ 24VDC	157mA @ 24VDC	2.10
ESSD2215*	35-60VDC	50mA @ 48VDC	55mA @ 48VDC	
ESSD2220*	115VAC ±10%	20mA	60mA	2.35
ESSD2230*	230VAC ± 10%	15mA	35mA	

*Specify lens colour A = Amber, B = Blue, C = Clear, G = Green, R = Red

*Specify LED colour A = Amber, B = Blue, G = Green, R = Red

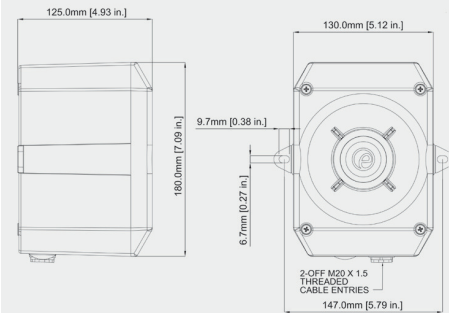
**Synchronisation requires sounders to be connected to the same power supply

***Grey (RAL7038) housing available on request

Specifications:

Maximum sound output: 112dB @ 1m
Nominal sound output: 105dB @ 1m (105dB max. - 65dB min. on tone 2 with volume control)
Sound frequency: 3 stages -32 tones see tone list on page 11-38
Flash energy: 5J (xenon version)
Light output: Xenon 200cd(e)
LED 176cd(e) (LED versions have clear lens with coloured LED's)
Xenon 60fpm
LED – steady or flashing 120fpm
Protection: IP66
Temp rating (°C): -25 to +55
Cable entry: 2 x M20 x 1.5mm threaded cable entries
Rating: Continuous
Construction: Marine grade aluminium
 A1 Si12 Cu

D105



DL105

