

D112-DL112X-DL112H

- Heavy duty marine grade aluminium housing
- Electronic sounder and sounder beacon with choice of xenon or LED
- 45 tones, includes ISO tones to Australian Standards
- Automatic synchronisation on multi-sounder systems**
- Sounder and beacon controlled independently
- Volume control
- Three stage alarm (reverse polarity stage switching on DC units)
- IP66



Specifications:

Maximum sound output: 119dB @ 1m
Nominal sound output: 112dB @ 1m 112dB max. - 100dB min. on tone 2 with volume control)
Sound frequency: 3 stages -45 tones see tone list on page 11-39
Flash energy: 5J (xenon version)
Light output: Xenon 200cd(e)
LED 176cd(e) (LED versions have clear lens with coloured LED's)
Flash rate: Xenon 60fpm
LED – steady or flashing 120fpm
Protection: IP66
Temp rating (°C): -25 to +55
Cable entry: 2 x M20 x 1.5mm threaded cable entries
Rating: Continuous
Construction: Marine grade aluminium A1 Si12 Cu

Order Code	Voltage	Current Sounder	Current Beacon	Weight (kg)
D112 sounder red housing***				
ESSD3010	10-30VDC	200mA @ 24VDC	-	1.6
ESSD3012	24VAC±10%	500mA	-	1.85
ESSD3015	35-60VDC	120mA @ 48VDC	-	1.6
ESSD3020	115VAC ±10%	100mA	-	1.85
ESSD3030	230VAC ± 10%	60mA	-	

DL112X sounder-beacon- with xenon beacon red housing***				
ESSD3105*	10-14VDC	200mA	380mA	2.80
ESSD3110*	20-28VDC	200mA	250mA	
ESSD3112*	24VAC ±10%	500mA	300mA	3.10
ESSD3115*	42-54VDC	120mA	175mA	2.80
ESSD3120*	115VAC ±10%	100mA	70mA	3.10
ESSD3130*	230VAC ± 10%	60mA	35mA	

*Specify lens colour A = Amber, B = Blue, C = Clear, G = Green, R = Red

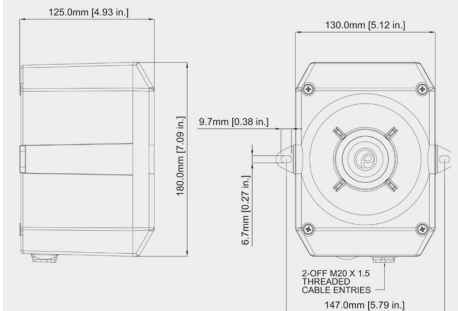
DL112H sounder-beacon – with LED beacon red housing***				
ESSD3210*	10-30VDC	200mA @ 24VDC	157mA @ 24VDC	2.80
ESSD3215*	35-60VDC	120mA @ 48VDC	55mA @ 48VDC	
ESSD3220*	115VAC ±10%	100mA	60mA	3.10
ESSD3230*	230VAC ± 10%	60mA	35mA	

*Specify LED colour A = Amber, B = Blue, G = Green, R = Red

**Synchronisation requires sounders to be connected to the same power supply

***Grey (RAL7038) housing available on request

D112



DL112

