

MicroSAI

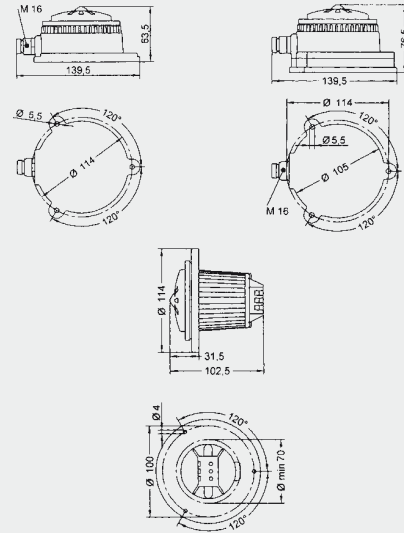


- High output buzzer
- Continuous or pulsing versions
- Surface or panel mounting versions
- Double insulated
- IP65

Order Code*	Voltage	Current
MicroSAI continuous sound surface mounting		
SIR8050125	12VAC	830mA
SIR8050245	24VAC	415mA
SIR8050485	48VAC	210mA
SIR8051105	110VAC	90mA
SIR8052405	240VAC	42mA
MicroSAI pulsing sound surface mounting		
SIR8050126	12VAC	830mA
SIR8050246	24VAC	415mA
SIR8050486	48VAC	210mA
SIR8051106	110VAC	90mA
SIR8052406	240VAC	42mA

* Add P to code for panel mounting version

Sound output: 95dB @ 1m
 Sound frequency: 300-350 Hz
 Duty cycle: Continuous
 Voltage tolerance: ±10%
 Protection: IP65
 Temp rating (°C): -30 to +40
 Cable entry: M16
 Construction: ABS and polycarbonate
 Weight: 0.31-0.42Kg



Dimensions in mm

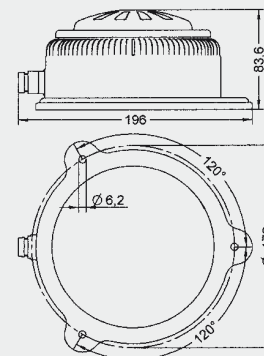
SAI



- High output buzzer
- Continuous or pulsing versions
- Double insulated
- IP54

Order Code	Voltage	Current
SAI continuous sound		
SIR8070121	12VDC	1.7A
SIR8070241	24VDC	900mA
SIR8070481	48VDC	450mA
SIR8070125	12VAC	1.9A
SIR8070245	24VAC	1.1A
SIR8070485	48VAC	540mA
SIR8071105	110VAC	190mA
SIR8072405	240VAC	130mA
SAI pulsing sound		
SIR8070126	12VAC	1.9A
SIR8070246	24VAC	1.1A
SIR8070486	48VAC	540mA
SIR8071106	110VAC	190mA
SIR8072406	240VAC	130mA

Specifications:
 Sound output: 110dB @ 1m DC voltage, 105dB @ 1m AC voltage
 Sound frequency: 600-20000 Hz (800-15000Hz on AC supply)
 Duty cycle: Continuous
 Voltage tolerance: ±10%
 Protection: IP54
 Temp rating (°C): -30 to +40
 Cable entry: M16
 Construction: ABS and polycarbonate
 Weight: 0.7Kg



Dimensions in mm