

INDUSTRIAL SIGNALLING

Buzzers and Horns



HPT

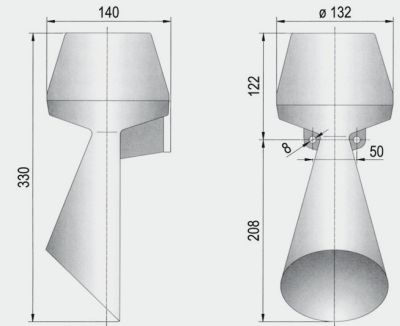


- Electromechanical horn
- Impact resistant synthetic housing
- Wide choice of voltages in AC and DC
- IP55

Order Code	Voltage	Current
JA712100004	12VDC	1.0A
JA712100005	24VDC	600mA
JA712100010	110VDC	200mA
JA712100013	220VDC	100mA
JA712100105	24VAC	1.2A
JA712100110	110VAC	200mA
JA712100113	230VAC	100mA

Specifications:

Sound output:	108dB @ 1m
Duty cycle:	Continuous
Protection:	IP55
Temp rating (°C):	-20 to +50
Cable entry:	Cable gland 7-10mm
Mounting:	with sound outlet down
Construction:	ABS
Weight:	0.8Kg



Dimensions in mm

HMA121



- Electronic horn/bell with 5 commonly used electro-mechanical sounds with 3 stage alarm
- Accurately reproduces electro-mechanical horn and bell sounds
- Automatically synchronises on multi-sounder systems.*
- High sound output (up to 121dB @ 1m)
- Volume control (124dB max. - 115dB min.)
- IP66

Order Code	Voltage	Current	Weight (kg)
ESS8210	24VDC	1.0A	2.5
ESS8220	110VAC	600mA	3.0
ESS8230	230VAC	500mA	

*synchronisation only occurs when sounders are connected to the same power supply

Tones

Tone	Description	Stage 1	Stage 2	Stage 3
1	Industrial hooter (klaxon)	Tone 1	Tone 3	Tone 5
2	Trumpet horn – medium note	Tone 2	Tone 1	Tone 5
3	Trumpet horn – high note	Tone 3	Tone 1	Tone 5
4	Buzzer	Tone 4	Tone 2	Tone 5
5	Bell	Tone 5	Tone 1	Tone 2

Specifications:

Sound output:	121dB @1m at nominal voltage
Sound frequency:	5 Tones selectable by DIP switches (2nd and 3rd stage by terminals)
Protection:	IP66
Temp rating (°C):	-25 to +55
Rating:	Continuous
Cable entry:	2 x M20
Construction:	Flame retardant ABS, UV stabilized

