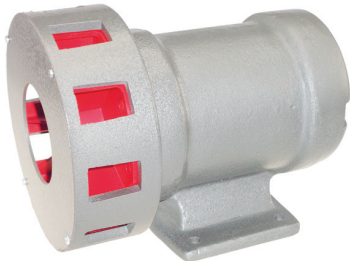


Model 1500S

- Range up to 1500m*
- Single phase motor driven siren
- Robust cast aluminium
- Sound output 122dB @ 1m
- Weatherproof

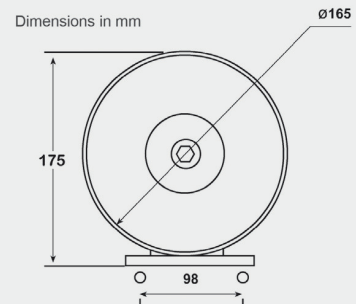
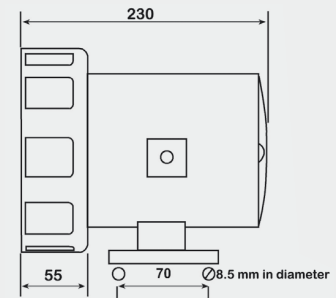


Order Code	Voltage	Running Current	Starting Current
KAM1500S110	110VAC 50Hz 1ph ±5%	5A	40A
KAM1500S230	230VAC 50Hz 1ph ±5%	3.5A	28A

*Range based on sound level of 60dB at quoted distance, in still air at 20°C, with the siren mounted at 5m above ground level and without obstructions.

Specifications:

Sound output: 122dB @ 1m
 Sound frequency: 1600Hz
 Protection: IP55
 Rating: 1 hour continuous (thermal cutout protection)
 Cable entry: 1 x M20
 Construction: Cast aluminium
 Weight: 6.6Kg



Model 2D

- Range up to 2000m*
- Single phase motor driven siren
- Low penetrating tone
- Robust cast aluminium
- Sound output 121dB @ 1m
- Weatherproof



Order Code	Voltage	Running Current	Starting Current
KAM2D110	110VAC 50Hz 1ph ±5%	3A	24A
KAM2D230	230VAC 50Hz 1ph ±5%	2.2A	17A

*Range based on sound level of 60dB at quoted distance, in still air at 20°C, with the siren mounted at 5m above ground level and without obstructions.

Specifications:

Sound output: 121dB @ 1m
 Sound frequency: 370/660Hz
 Protection: IP55
 Rating: 1 hour continuous (thermal cutout protection)
 Cable entry: 1 x M20
 Construction: Cast aluminium
 Weight: 8.2Kg

