

BExBG21DP



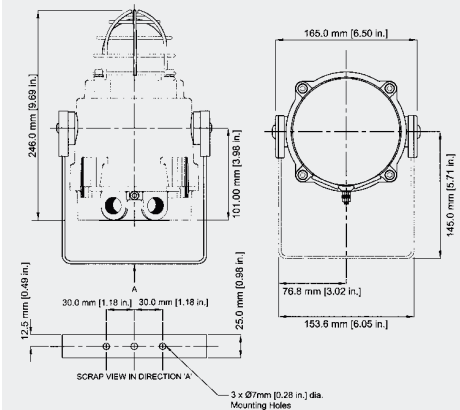
- 21J xenon strobe beacon
- Ex d IIC zone 1, 2, 21 and 22 (IECEX)
- Dual xenon tubes with 3 flash patterns
- Line monitoring with blocking diode or optional EOL resistor
- IP66

Order Code	Voltage	Current
ESS7114X*	20-28VDC	1.2A
ESS7144X*	42-54VDC	600mA
ESS7124X*	115VAC ±10%	560mA
ESS7134X*	230VAC ±10%	280mA

*Specify colour A = Amber, B = Blue, C = Clear, G = Green, R = Red, Y = Yellow

Specifications:

Light intensity: 520cd(e)
Flash energy: 21J
Flash rate: single flash - 60fpm (both tubes flash together)
 alternate flash - 120fpm (tube flash alternatively)
 double flash - 60fpm
Protection: IP66 (IP67)
Duty: Continuous
Temp rating (°C): T3 -50 to +70°C
Cable entry: 2 x M20 ISO (one stopping plug included)
Construction: LM6 aluminium housing, glass lens, stainless steel guard and mounting bracket
Weight: DC - 2.65kg, AC - 2.95kg
Approval: II 2G Ex d IIC T3 (max ambient temperature +70°C)
 II 2D Ex tD A21 IP67 T200 (DIP)
Certificate: IECEX (KEM 10.0002)



BExBG05-05DP DUAL XENON BEACON



- 2 x 5J dual xenon strobe beacon
- Ex d IIB zone 1, 2, 21 and 22 (IECEX)
- Dual xenon circuits can operated simultaneously or independently
- Synchronised flash or flip-flop alternating mode on multi-beacon systems
- Line monitoring with blocking diode or optional EOL resistor
- IP66

Order Code	Voltage	Current (per xenon circuit)
ESS7811X**	20-28VDC	300mA
ESS7814X**	42-54VDC	180mA
ESS7821X* *	115VAC ±10%	140mA
ESS7831X* *	230VAC ±10%	55mA

*Specify colour A = Amber, B = Blue, C = Clear, G = Green, R = Red, Y = Yellow

Specifications:

Light intensity: 2 x 120cd(e)
Flash energy: 2 x 5J
Flash rate: 60fpm
Protection: IP66 (IP67)
Duty: Continuous
Temp rating (°C): T4 -50 to +70°C
Cable entry: 2 x M20 ISO (one stopping plug included)
Construction: LM6 aluminium housing, glass lens, stainless steel guard and mounting bracket
Weight: DC - 4.00kg, AC - 4.35kg
Approval: II 2G Ex d IIB T4 (max ambient temperature +70°C)
 II 2D Ex tD A21 IP67 T115 (DIP)
Certificate: IECEX (KEM 10.0024)

* synchronisation or flip-flop modes on multi-beacon systems on a single supply

