

HAZARDOUS AREA SIGNALS

Sounders and Beacons with GRP Housing



GNExS1 - GNExS1-R



GNExS1

- Electronic sounder up to 117dB
- Available with flare or omnidirectional radial horn
- Ex d IIC zone 1 and 2 (IECEX)
- 45 tones, includes ISO tones to Australian Standards
- Automatic synchronisation on multi-sounder systems*
- Volume control
- Four stage alarm
- Line monitoring with blocking diode or optional EOL resistor
- IP66

Order Code GNExS1 Flare Horn	Order Code GNExS1-R Radial Horn	Voltage	Current
ESSG6010X	ESSG6010XR	10-30VDC	140mA
ESSG6015X	ESSG6015XR	30-60VDC	73mA
ESSG6030X	ESSG6030XR	100-260VAC	86mA

Specifications:

Sound output: Max: 117dB @ 1m (flare horn)
115dB @ 1m (radial horn)
Nominal: 110-72dB with volume control

Sound frequency: 45 tones see tone list on page 13-27, 28

Protection: IP66 (IP67)

Temp rating (°C): T4 -50 to +50°C

Duty: Continuous

Cable entry: 2 x M20 ISO (one stopping plug included)

Construction: UV stable GRP housing, stainless steel mounting bracket, ABS flare

Weight: DC - 3.35kg, AC - 3.55kg

Approval: II 2G Ex d IIC T4 (max ambient temperature +50°C)
II 2G Ex d IIC T3 (max ambient temperature +70°C)
II 2G Ex d IIB T6 (max ambient temperature +70°C)

Certificate: IECEX SIR 13.0029X

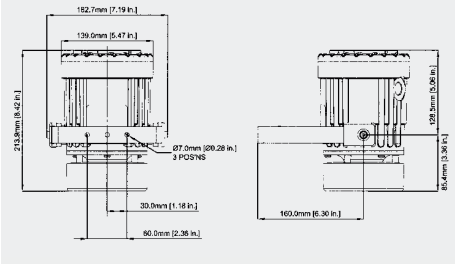
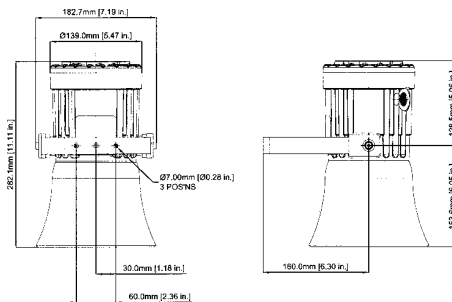
* Synchronisation requires sounders to be connected to the same supply

GNExS1-R



GNExS1-R

GNExS1



GNExS2



- Electronic sounder up to 123dB
- Ex d IIC zone 1 and 2 (IECEX)
- 45 tones, includes ISO tones to Australian Standards
- Automatic synchronisation on multi-sounder systems*
- Volume control
- Four stage alarm
- Line monitoring with blocking diode or optional EOL resistor
- IP66

Order Code	Voltage	Current
ESSG6210X	10-30VDC	811mA
ESSG6215X	38-60VDC	434mA
ESSG6230X	100-230VAC	297mA

Specifications:

Sound output: Max: 123dB @ 1m
Nominal: 117-108dB with volume control

Sound frequency: 45 tones see tone list on page 13-27, 28

Protection: IP66 (IP67)

Temp rating (°C): T4 -50 to +50°C

Duty: Continuous

Cable entry: 2 x M20 ISO (one stopping plug included)

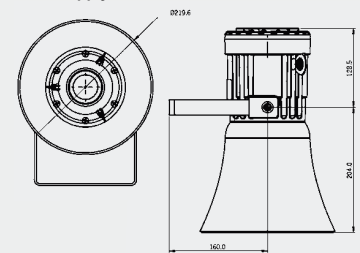
Construction: UV stable GRP housing, stainless steel mounting bracket, ABS flare

Weight: DC - 3.35kg, AC - 3.55kg

Approval: II 2G Ex d IIC T4 (max ambient temperature +50°C)
II 2G Ex d IIC T3 (max ambient temperature +58°C)
II 2G Ex d IIB T6 (max ambient temperature +50°C)

Certificate: IECEX SIR 13.0029X

* Synchronisation requires sounders to be connected to the same supply



Dimensions in mm

