

STExS1F - STExS1R

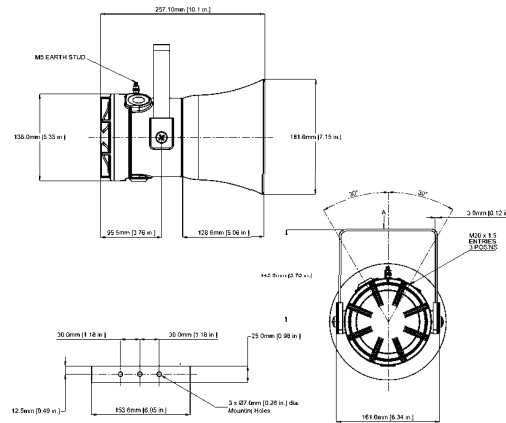


STExS1F

- Electronic sounder up to 117dB
- Available with flare or omnidirectional radial horn
- Ex d IIC zone 1 and 2 (IECEx)
- 64 tones, includes ISO tones to Australian Standards
- Automatic synchronisation on multi-sounder systems*
- Volume control
- Four stage alarm
- Line monitoring with blocking diode or optional EOL resistor
- IP66

Order Code GNExS1 Flare Horn	Order Code GNExS1-R Radial Horn	Voltage	Current
ESSR6010X	ESSR6010XR	10-30VDC	217mA
ESSR6015X	ESSR6015XR	30-60VDC	77mA
ESSR6030X	ESSR6030XR	100-260VAC	53mA

STExS1F



STExS1R

Specifications:

Sound output: Max: 117dB @ 1m (flare horn)
115dB @ 1m (radial horn)
Nominal: 113-101dB with volume control (110dB-98dB with radialhorn).

Sound frequency: 64 tones see tone list on page 13-29

Protection: IP66 (IP67)

Temp rating (°C): -50 to +70°C

Duty: Continuous

Cable entry: 3 x M20 ISO (two stopping plugs included)

Construction: 316L stainless steel housing, and mounting bracket, ABS flare.

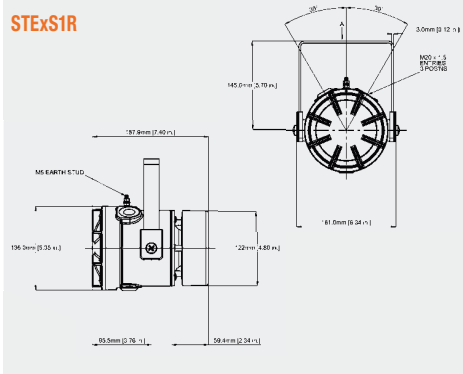
Weight: 6.25kg

Approval: II 2G Ex d IIC T6 (max ambient temperature +65°C)
II 2G Ex d IIC T5 (max ambient temperature +70°C)
Ex tb IIIC Db T85°C
IECEx ULD 16.0017X

Certificate:

* Synchronisation requires sounders to be connected to the same supply

STExS1R

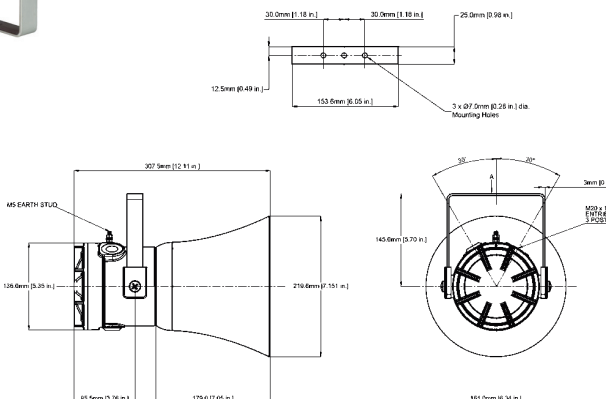


STExS2



- Electronic sounder up to 123dB
- Ex d IIC zone 1 and 2 (IECEx)
- 64 tones, includes ISO tones to Australian Standards
- Automatic synchronisation on multi-sounder systems*
- Volume control
- Four stage alarm
- Line monitoring with blocking diode or optional EOL resistor
- IP66

Order Code	Voltage	Current
ESSR6210X	10-30VDC	924mA
ESSR6215X	38-60VDC	268mA
ESSR6230X	100-230VAC	159mA



Specifications:

Sound output: Max: 123dB @ 1m
Nominal: 117-105dB with volume control

Sound frequency: 64 tones see tone list on page 13-29

Protection: IP66 (IP67)

Temperature range: -50 to +70°C

Duty: Continuous

Cable entry: 3 x M20 ISO (two stopping plugs included)

Construction: 316L stainless steel housing, and mounting bracket, ABS flare.

Weight: 6.55kg

Approval: II 2G Ex d IIC T6 (max ambient temperature +45°C)
II 2G Ex d IIC T5 (max ambient temperature +60°C)
Ex db IIC T4 (max ambient temperature +70°C)
Ex tb IIIC Db T105°C
IECEx ULD 16.0017X

Certificate:

* Synchronisation requires sounders to be connected to the same supply