

LK100 Hand Operated Siren

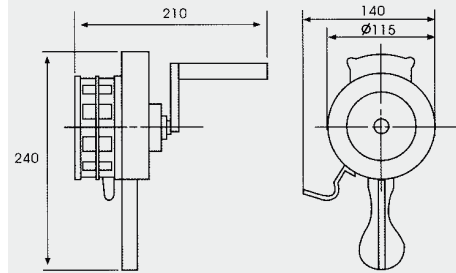


- Hand wound siren with output up to 108dB
- Heavy duty aluminium or lightweight plastic versions
- Supplied with carry bag

Order Code	Description	Weight (kg)
LK100	Hand wound siren -aluminium	1.2
LK100P	Hand wound siren - ABS	0.6

Specifications:

Sound output: 108dB @ 1m
 Frequency: 550Hz nominal (depends on speed of rotation)
 Construction: Aluminium or ABS



Dimensions in mm

LK120 Hand Operated Siren

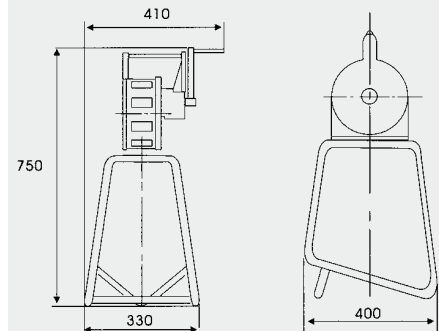


- Hand wound siren with output up to 120dB
- Heavy duty aluminium construction
- Portable with stand

Order Code	Description	Weight (kg)
LK120	Hand wound siren	11

Specifications:

Sound output: 120dB @ 1m
 Frequency: 600Hz nominal (depends on speed of rotation)
 Construction: Aluminium siren with steel tube stand



Dimensions in mm

STM Megaphone



- Choice of outputs 10 or 15W
- Public address and siren/whistle sound
- Separate microphone

Order Code	Power	Sound	Max. Range	Batteries*	Dimensions	Weight (kg)
MXSTM210W	10W	whistle	320m	6 x C cells	350 x 200mm	1.5
MXSTM315S	15W	Siren	500m	8 x C cells	355 x 235mm	1.6

* Batteries not included