

### FIN905SF Sine Wave Filter

- Converts PWM output into sinusoidal wave
- DV/DT reduction
- Reduces motor losses and increases motor life
- Recommended for cable length of 100m+
- Rated currents from 5-880A
- Custom designs available



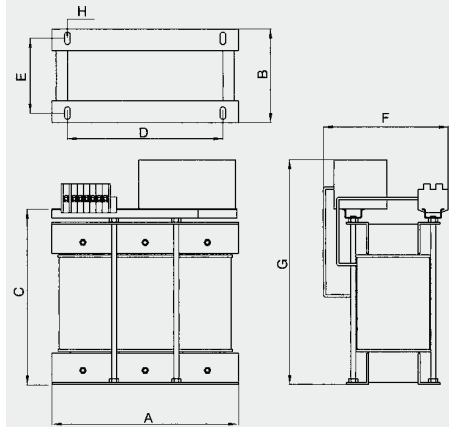
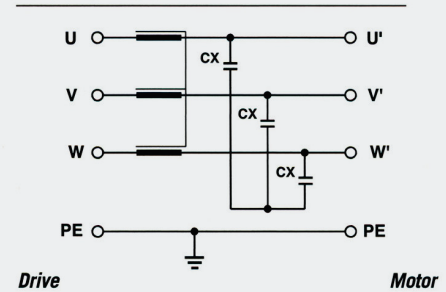
| Order Code     | Rated Current (A)<br>40°C | L<br>(mH) | Min. PWM<br>Frequency<br>(kHz) | Power<br>Loss<br>(W) | Dimensions<br>A x G x F (mm) | Weight<br>(kg) |
|----------------|---------------------------|-----------|--------------------------------|----------------------|------------------------------|----------------|
| 27FIN905SF005M | 5                         | 13        | 4                              | 67                   | 150 x 250 x 150              | 3.5            |
| 27FIN905SF008M | 8                         | 6.9       | 4                              | 79                   | 150 x 250 x 150              | 4.5            |
| 27FIN905SF010M | 10                        | 5.2       | 4                              | 88                   | 150 x 250 x 150              | 5.2            |
| 27FIN905SF016M | 16                        | 3.1       | 4                              | 116                  | 180 x 280 x 225              | 8.8            |
| 27FIN905SF025M | 25                        | 2.4       | 4                              | 151                  | 180 x 280 x 225              | 9.5            |
| 27FIN905SF036M | 36                        | 1.6       | 4                              | 175                  | 240 x 340 x 225              | 14.4           |
| 27FIN905SF045M | 48                        | 1.1       | 4                              | 250                  | 240 x 340 x 225              | 17.3           |
| 27FIN905SF060M | 60                        | 0.85      | 3                              | 282                  | 240 x 340 x 225              | 22             |
| 27FIN905SF075M | 75                        | 0.75      | 3                              | 340                  | 300 x 410 x 205              | 28.5           |
| 27FIN905SF115M | 115                       | 0.5       | 3                              | 575                  | 300 x 310* x 225             | 38             |
| 27FIN905SF180M | 180                       | 0.3       | 3                              | 695                  | 480 x 420* x 355             | 55             |
| 27FIN905SF260M | 260                       | 0.2       | 3                              | 895                  | 520 x 340* x 355             | 88             |
| 27FIN905SF410B | 410                       | 0.13      | 3                              | 1170                 | 520 x 340* x 355             | 96             |
| 27FIN905SF480B | 480                       | 0.11      | 3                              | 1390                 | 520 x 340* x 355             | 108            |
| 27FIN905SF660B | 660                       | 0.08      | 2                              | 2050                 | 520 x 460* x 395             | 176            |
| 27FIN905SF750B | 750                       | 0.07      | 2                              | 2900                 | 530 x 520* x 435             | 195            |
| 27FIN905SF880B | 880                       | 0.05      | 2                              | 3450                 | 650 x 630* x 475             | 230            |

\* Dimension C - filters supplied with capacitors separate

#### Specifications:

|                        |                           |
|------------------------|---------------------------|
| Rated voltage:         | Line voltage 480V 50/60Hz |
| Isolation:             | Class F - 155°C           |
| Winding:               | Class HC- 200°C           |
| Max. output frequency: | <70Hz                     |
| Test voltage:          | 3kV (1 min, 50Hz)         |
| Protection:            | IP00                      |
| Temp rating (°C):      | +40°C                     |
| Temperature rise:      | <90°C                     |
| Connection:            | Terminals                 |
| Standards:             | IEC/EN/UNE-EN 60076-6, CE |

#### ELECTRIC DIAGRAM



Dimensions in mm