

A70 Float Switch



- Suitable for level control in open tanks
- 3 pole switch for direct control of 3ph pump motor
- Emptying or filling function

Order Code	Description	Level Differential	Weight (kg)
FANA70	Float switch with three pole switch	50 to 750mm	1.1

Specifications:

Switch rating: 3 pole double break, Ith 25A, 4kW @ 415Vac

Length of float cable: 750mm

Controlled fluid: Water

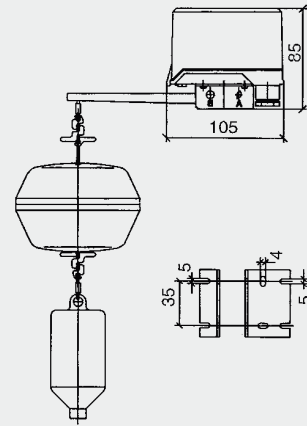
Max Temp of fluid: 50°C

Operating temp: -15 to 55°C

Cable entry: 2 x G1/2"

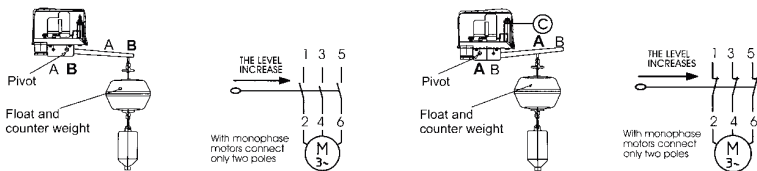
Protection: IP40

Construction: Anti-shock thermoplastic body, mopen float, nylon cable, metallic parts in galvanised steel.



Dimensions in mm

ELECTRICAL CONNECTION



A95 Float Switch



- Sealed Float Switch for open tanks
- Suitable for level control of water, acidic or alkaline solutions
- Submersible float (100m)
- Choice of cable lengths
- IP68

Order Code	Description	Cable Length	Weight (kg)
FANA95A	Submerged float switch for water solutions	3m	0.70
FANA95B	Submerged float switch for waste solutions	10m	1.30
FANA95BS1	Submerged float switch for waste solutions	15m	1.6

Specifications:

Switch Rating: 1 SPDT, 5A 250Vac (resistive)
3A AC11, 0.2A 220Vdc

Adjustable Level Range: 750mm max.

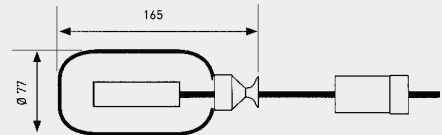
Controlled Fluid: Water, acid or alkaline aqueous solutions

Max Temp of Fluid: 60°C

Max External Pressure: 10 Bars

Protection: IP68

Construction: Polypropylene float, H05VVf 3 x 0.75 cable



Dimensions in mm

Note: cable lengths up to 25m are available on request.

WIRING DIAGRAM FOR EMPTYING PUMP

WIRING DIAGRAM FOR FILLING PUMP

