

PROCESS CONTROLS AND SWITCHES

Ultrasonic Level Controls



ULM-53 Ultrasonic Level Meter

- Suitable for continuous level measurement of liquids.
- Range up to 20m
- Compact plastic housing
- 4-20mA or 0-10V outputs
- LED state indication



Order Code	Range	Beam Width	Refresh Rate	Output Type	Process Connection	Weight (kg0)
DINULM53N02I	0.25 to 2m	10°	1.0 sec	4-20mA, 2 wire	G1"	0.20
DINULM53N02U	0.25 to 2m	10°	1.0 sec	0-10V, 3 wire	G1"	0.20
DINULM53N06I	0.25 to 6m	14°	1.4 sec	4-20mA, 2 wire	G1½"	0.25
DINULM53N06U	0.25 to 6m	14°	1.4 sec	0-10V, 3 wire	G1½"	0.25
DINULM53N10I	0.5 to 10m	10°	2.0 sec	4-20mA, 2 wire	Flange Ø 160mm	0.65
DINULM53N10U	0.5 to 10m	10°	2.0 sec	0-10V, 3 wire	Flange Ø 160mm	0.65
DINULM53N20I	0.5 to 20m	12°	2.0 sec	4-20mA, 2 wire	Flange Ø 220mm	2.80
DINULM53N20U	0.5 to 20m	12°	2.0 sec	0-10V, 3 wire	Flange Ø 220mm	2.80

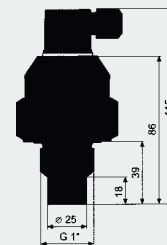
See page 19-18 for display and relay modules.

For installation instructions and application information visit www.mechtric.com.au

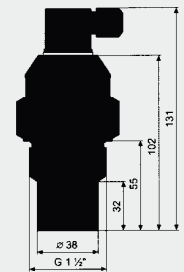
Specifications:

Operating voltage: 18-36VDC
Output: 4-20mA (0-10V option)
Resolution: <1mm
Basic accuracy: 0.2% (0.3% ULM53N-02)
Setup: 2 buttons on housing
Current output load: 600Ω max
Voltage output load: > 1kΩ
Start up time: 45sec
Cable entry: DIN connector
Working temp: -30 to +70°C (-30 to +60 ULM53N-10/20)
Construction: PVDF transmitter and PP HDPE housing and flange (aluminium flange on ULM53N-20)
Protection: IP67

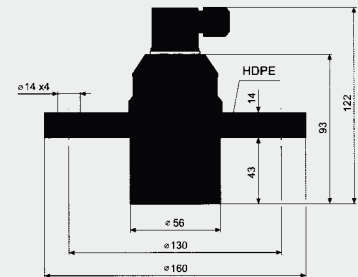
ULM-53N-02



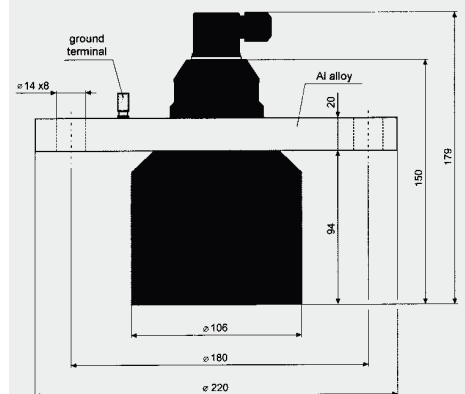
ULM-53N-06



ULM-53N-10



ULM-53N-20



Dimensions in mm

Dinel