

SE3800 Level Switch

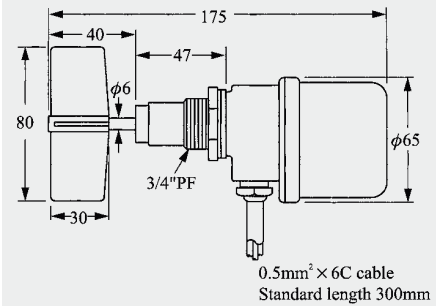


- Suitable for level detection of powders and grains
- 3 operating voltages
- Compact dimensions

Order Code	Model	Operating Voltage	Weight (kg)
FINRP80A	SE3800A	110VAC 50/60Hz	0.42
FINRP80C	SE3800C	240VAC 50/60Hz	0.42
FINRP80D	SE3800D	24VAC 50/60Hz	0.42

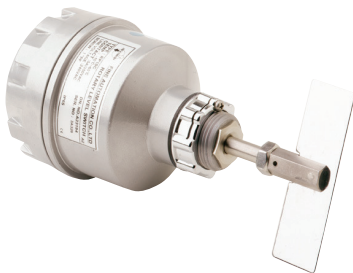
Specifications:

Power consumption: 1.5W
Paddle speed: 1rpm
Torque: 30-100 g-cm
Specific gravity: 0.3
Switch rating: SPDT 3A 240VA.c.
Working temp: -20 to 70°C
Connection: ¾" G
Cable entry: 300mm cable
Protection: IP65
Construction: 304 stainless steel connection, polycarbonate housing and paddle



Dimensions in mm

SE110 Level Switch

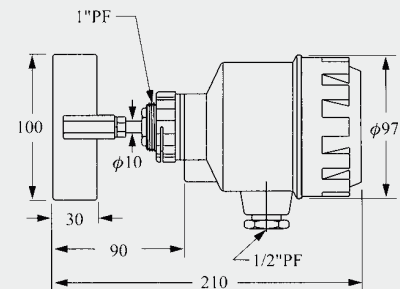


- Suitable for level detection of powders and grains
- 4 operating voltages
- Stainless steel wetted parts
- IP65

Order Code	Model	Operating Voltage	Weight (kg)
FINRP10A	SE110A	110VAC 50/60Hz	1.2
FINRP10C	SE110C	240VAC 50/60Hz	1.2
FINRP10D	SE110D	24VAC 50/60Hz	1.2
FINRP10E	SE110D	24VDC	1.2

Specifications:

Power consumption: 3W
Paddle speed: 1rpm
Torque: 0.5-1 kg-cm
Specific gravity: 0.5
Switch rating: SPDT 5A 240VA.c.
Working temp: -20 to 70°C
Connection: 1" G
Cable entry: ½" PF
Protection: IP65
Construction: 304 stainless steel connection and paddle, Aluminium housing



Dimensions in mm

